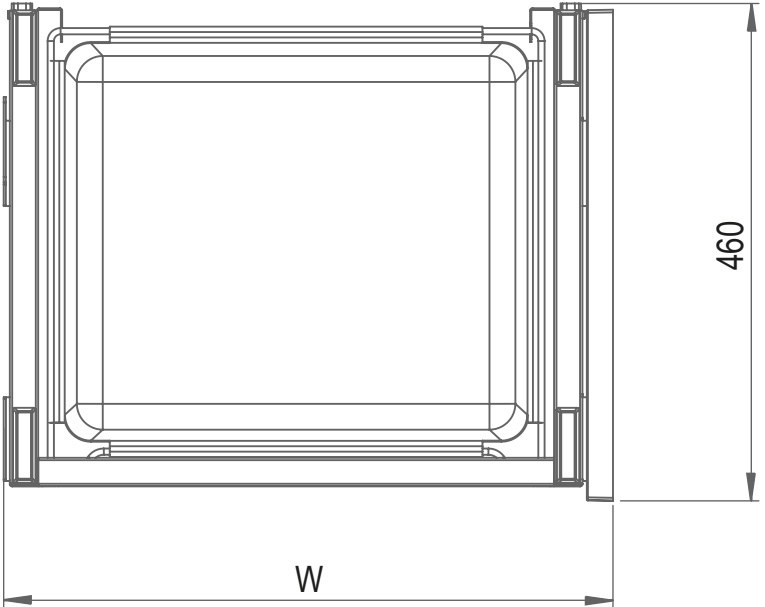
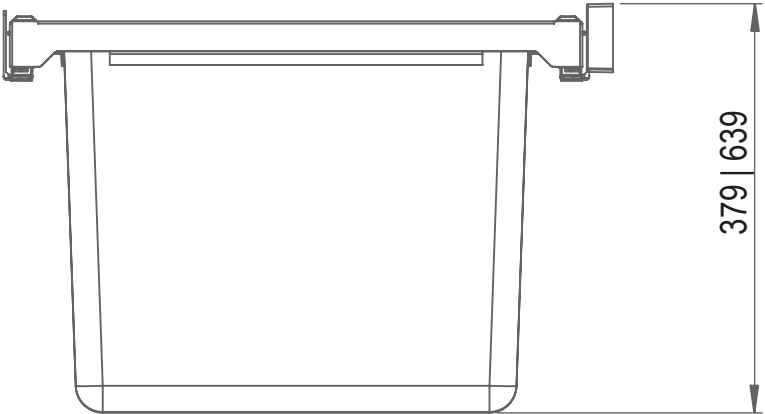
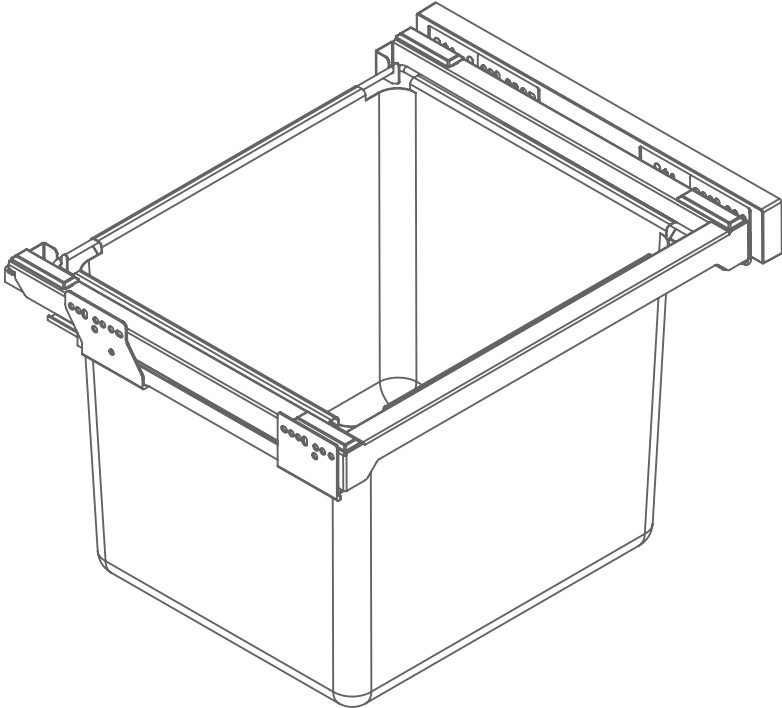


ZSBL



	L [mm]	450	500	600
	W [mm]	414	464	564