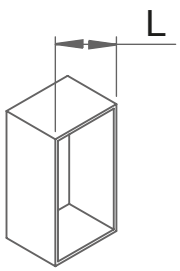
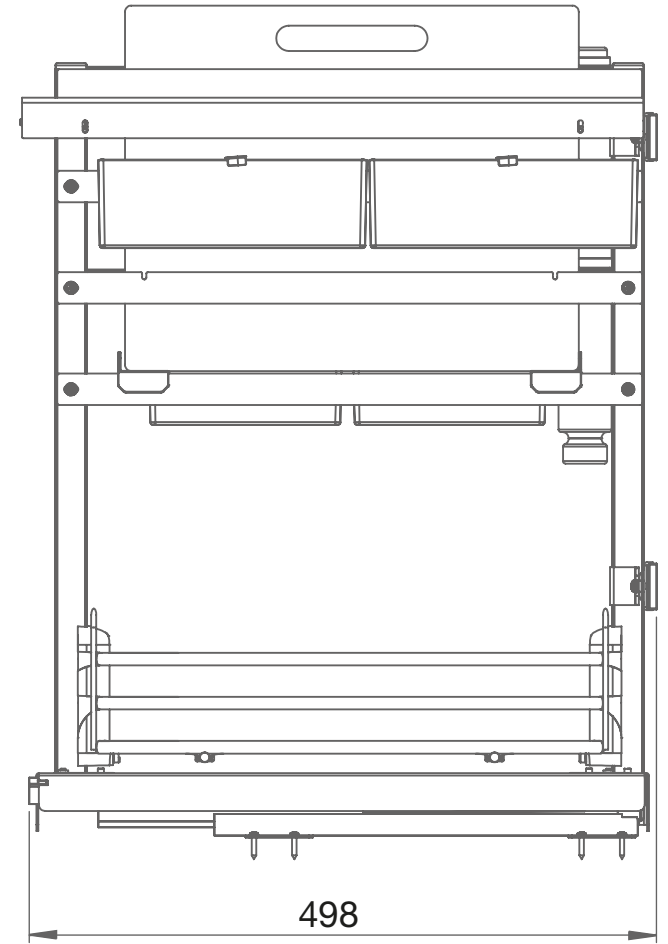
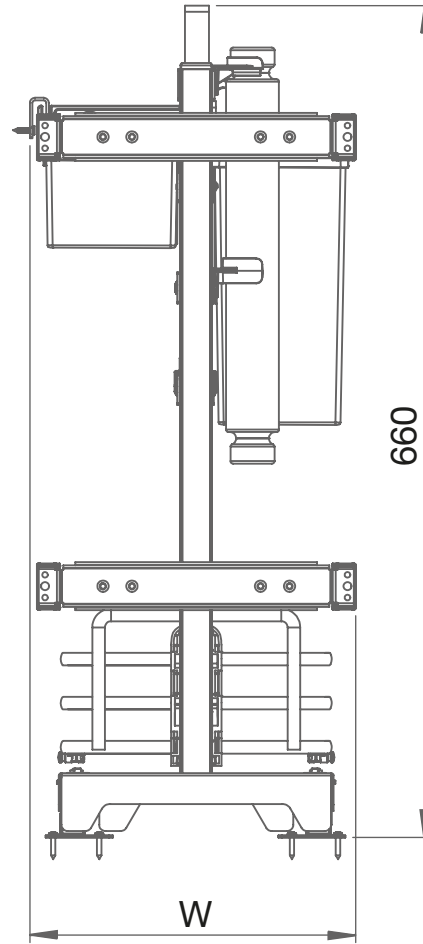
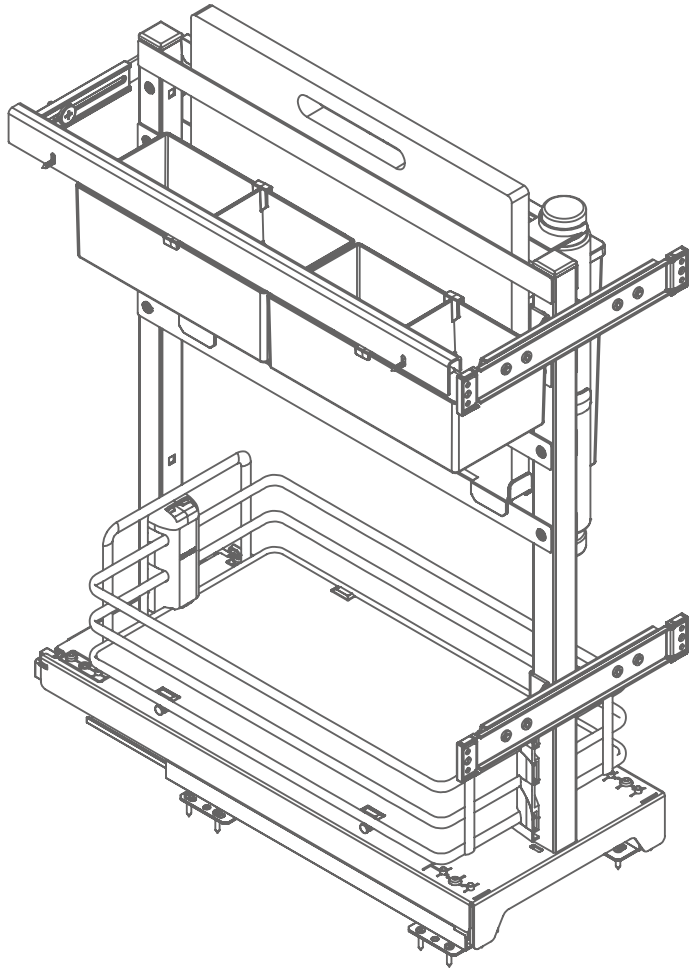


5132A



A diagram of a rectangular component with a dimension line labeled 'L' indicating its length.

L [mm]	300	400
W [mm]	258	358