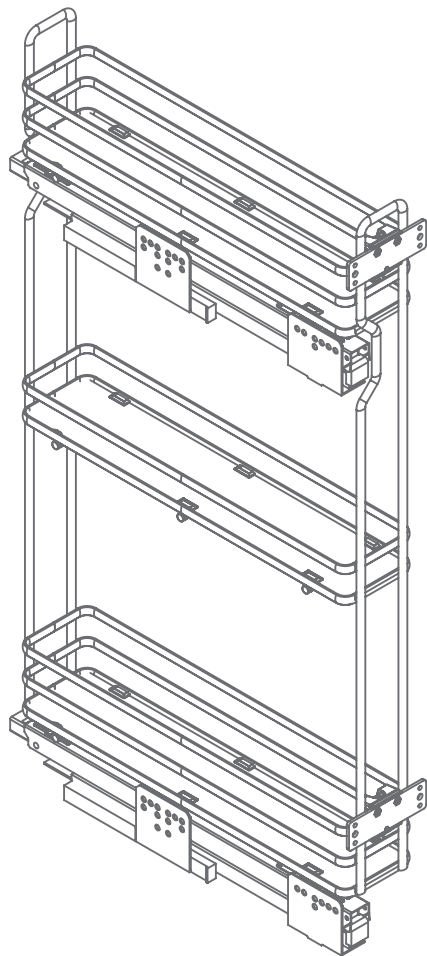
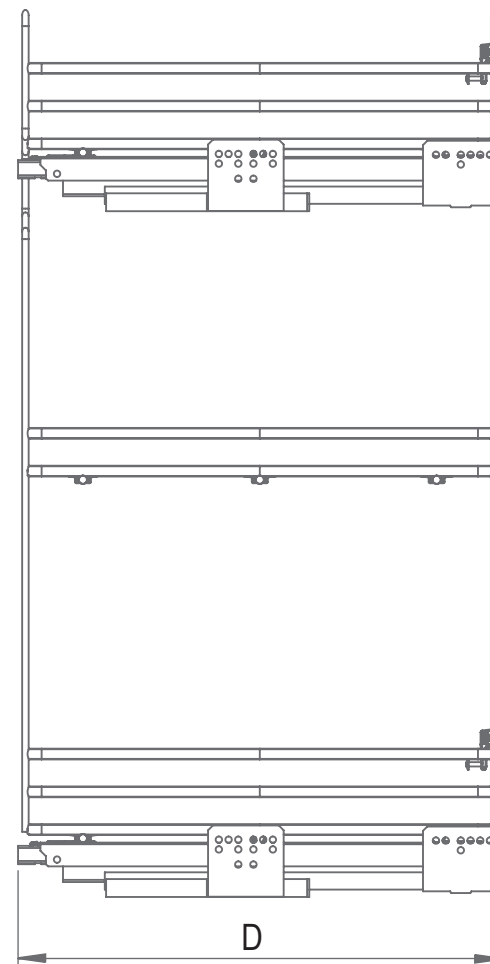
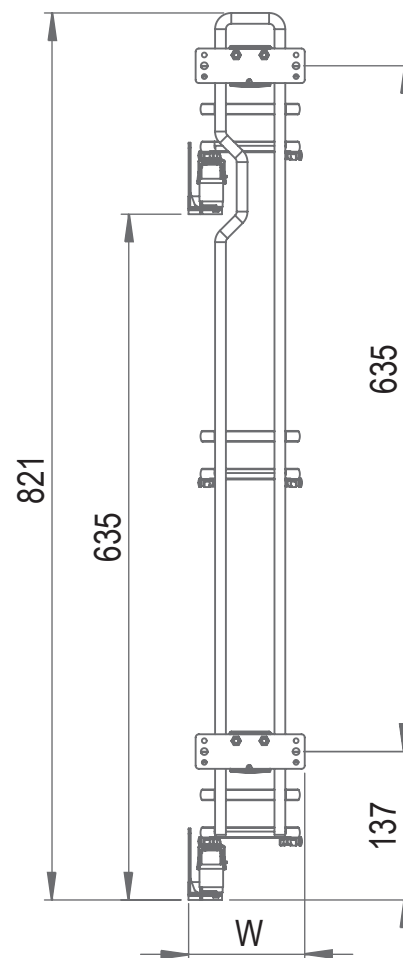


# 5124



BASE



	L [mm]	150
	W [mm]	108

Code	D [mm]
-	-
45	450
50	500